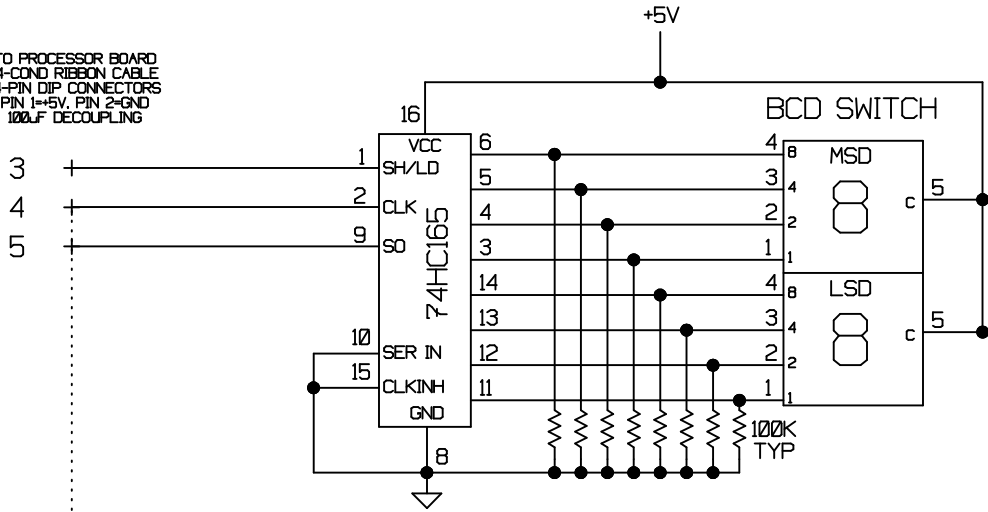


# INTERFACE BOARD

TO PROCESSOR BOARD  
14-COND RIBBON CABLE  
14-PIN DIP CONNECTORS  
PIN 1=+5V, PIN 2=GND  
100uF DECOUPLING



LOCATED IN AC POWER BOX

