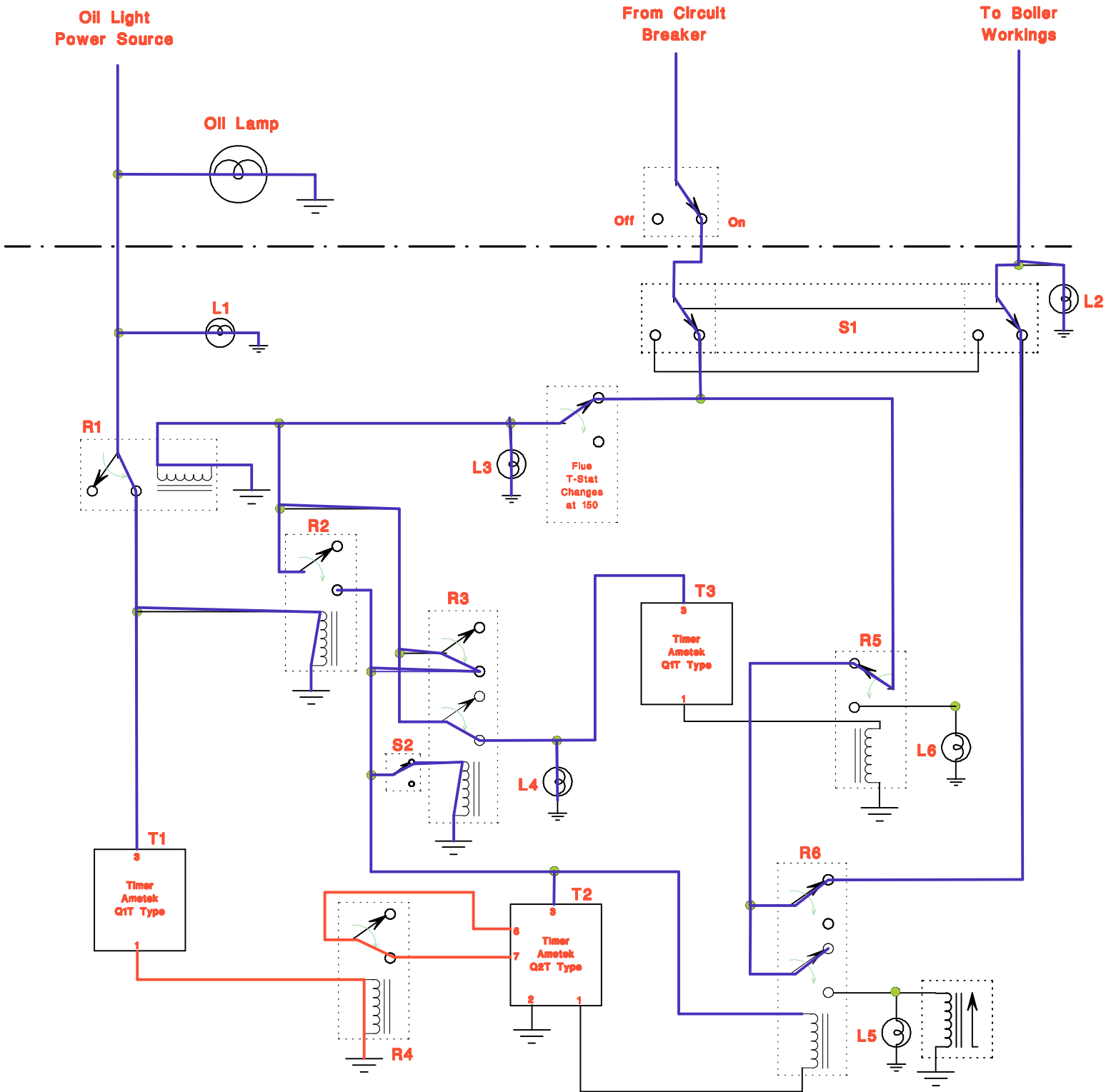


# Oil Burner Reset-State 1.2.1



Results in State 1.2.2