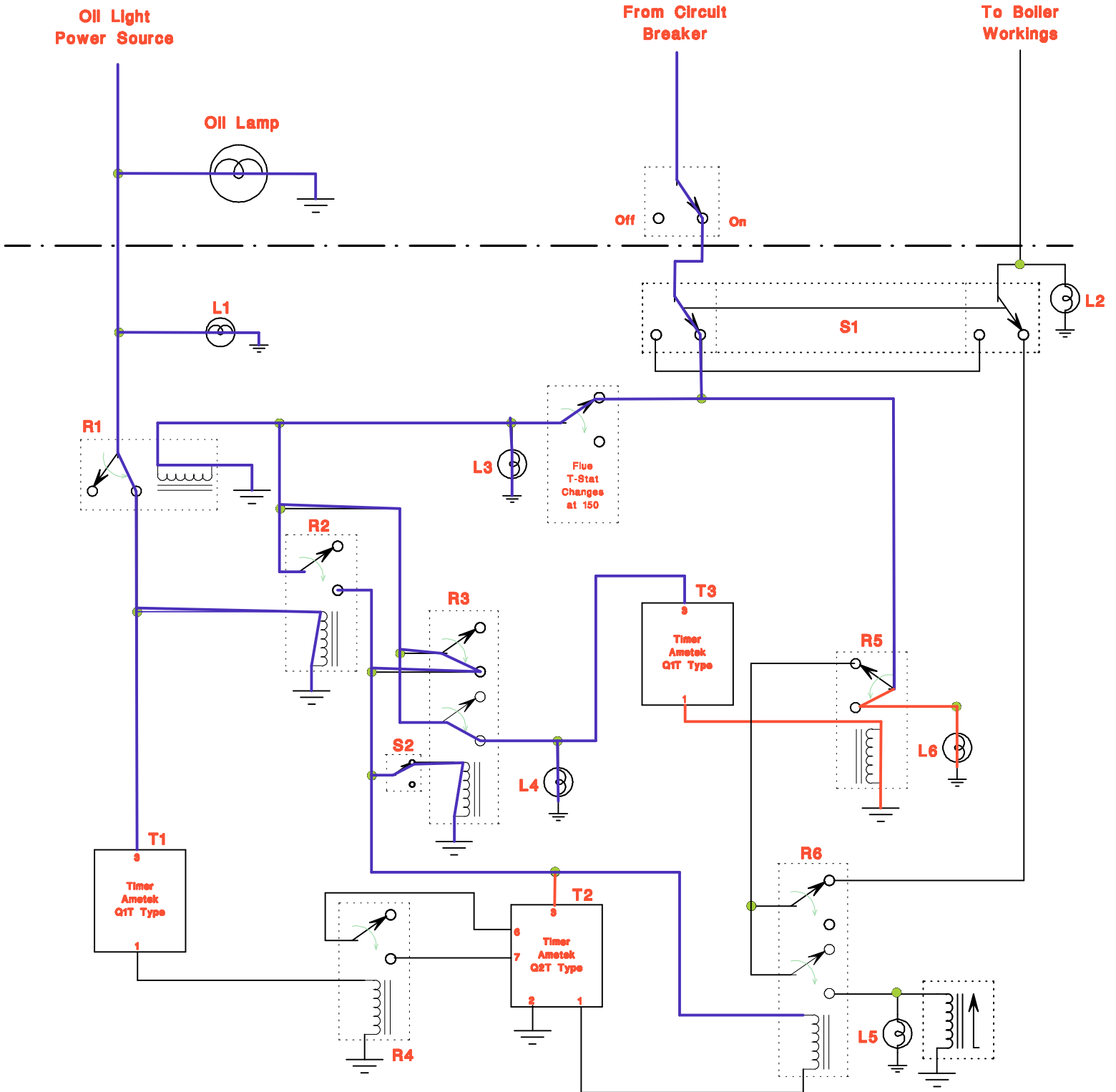


# Oil Burner Reset-State 1.3



Results in State 1.3.1